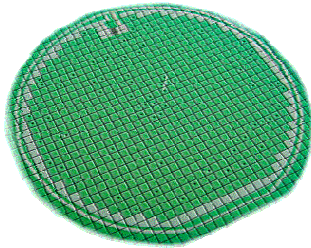


# MS7212

# PRESSURE SENSOR DIE (0-12 BAR) FOR HARSH ENVIRONMENT



- 0 to 1200 kPa range (12 bar or 174 PSI)
- Absolute pressure sensors
- Hermetic sensor
- RoHS-compatible & Pb-free<sup>1</sup>

## DESCRIPTION

The MS7212 is an absolute silicon micro-machined pressure sensor for harsh environment. A vacuum reference cavity is sealed on top of the sensitive silicon membrane by the anodic bonding of a Pyrex™ cap. The pressure, applied on the backside, is converted in electrical signal by piezo-resistors implanted in the silicon membrane. To improve the sensor stability, a drilled Pyrex™ is bonded on the backside. As the pressure port consists of Pyrex™ and silicon, both stable in most of the chemicals, the MS7212 is suitable for media-resistive applications.

## FEATURES

- |                                       |  |
|---------------------------------------|--|
| • Media resistive pressure sensor die | • Linearity 0.05% (typical)            |
| • Output Span 150mV @ 5 V             | • Die Size 1.63 x 1.95 mm <sup>2</sup> |
| • Temperature Range -40°...+125°C     | • Low Cost, High reliability           |

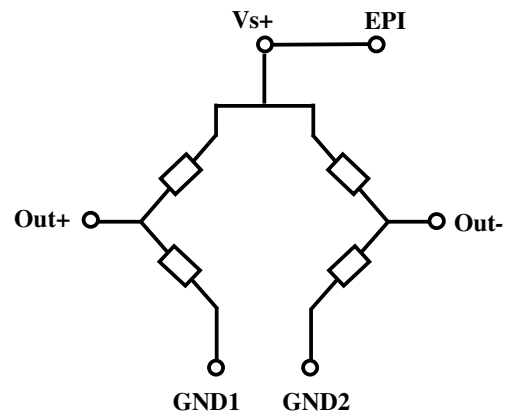
## APPLICATION

- |                                    |                    |
|------------------------------------|--------------------|
| • Harsh environments               | • Tire pressure    |
| • Absolute pressure sensor systems | • Engine controls  |
| • Braking systems                  | • Diving computers |

## ELECTRICAL CONNECTIONS

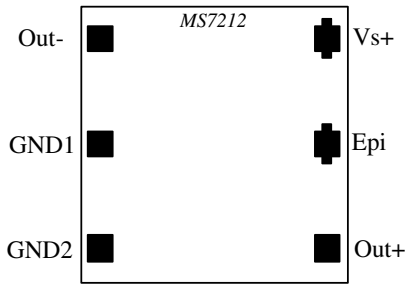
Positive output for pressure applied backside

- Vs+ : Supply voltage of Wheatstone bridge
- Epi : Connection of epitaxial layer (membrane)
- Out- : Negative output
- Out+ : Positive output
- GND1 : Ground
- GND2 : Ground



<sup>1</sup> The European RoHS directive 2002/95/EC (Restriction of the use of certain Hazardous Substances in electrical and electronic equipment) bans the use of lead, mercury, cadmium, hexavalent chromium and polybrominated biphenyls (PBB) or polybrominated diphenyl ethers (PBDE).

## PAD OUT

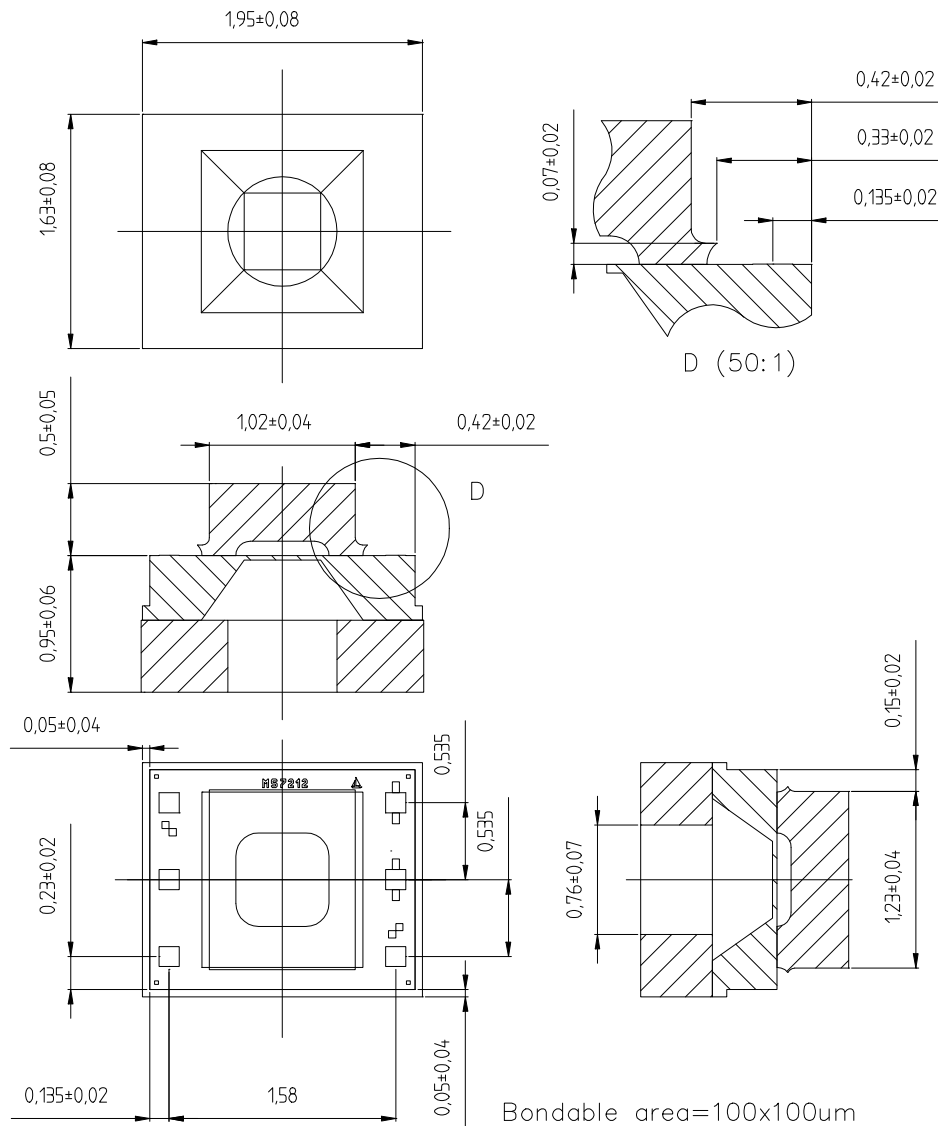


### Important remarks:

As the sensing elements are diffused resistances, the voltage applied on the ground pads (GND1 and GND2) has to be lower than the voltage applied on supply voltage pad (Vs+).

The epitaxial layer is connected to the Vs+ pin on the die.

## LAYOUT



## FULL SCALE PRESSURE

kPa	bar	mbar	PSI	atm	mm Hg	m H <sub>2</sub> O	Inches H <sub>2</sub> O
1200	12	12000	174	11.8	9001	122	4818

## ABSOLUTE MAXIMUM RATINGS

Parameter	Symbol	Conditions	Min	Max	Unit
Supply voltage	VS+	Ta = 25 °C		20	V
Storage temperature	T <sub>s</sub>		-40	+150	°C
Pressure overload				30	Bar

## ELECTRICAL CHARACTERISTICS

(Reference conditions: Supply Voltage VS+ = 5 Vdc; Ambient Temperature Ta = 25 °C)

Parameter	Min	Typ	Max	Unit	Notes
Operating Pressure Range	0		12	Bar	
Operating Temperature Range	-40		125	°C	
Bridge Resistance	3.0	3.4	3.8	kΩ	
Full-scale span (FS)	120	150	180	mV	
Zero Pressure Offset	-40	0	40	mV	
Linearity		± 0.05	± 0.15	% FS	1
Temperature Coefficient of Resistance Span Offset	+ 2400 - 1500 - 80	+ 2800 - 1900	+ 3300 - 2300 + 80	ppm/°C ppm/°C μV/°C	2
Pressure Hysteresis		± 0.05	± 0.15	% FS	3
Repeatability		± 0.05	± 0.15	% FS	4
Temperature Hysteresis			0.3	% FS	5

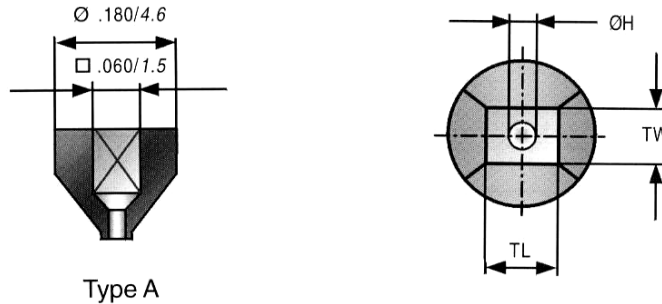
### NOTES

- 1) Deviation at one half full-scale pressure from the least squares best line fit over pressure range (0 to 12 bar).
- 2) Slope of the endpoint straight line from 25 °C to 60 °C.
- 3) Output deviation at any pressure within the specified range, when this pressure is cycled to and from the minimum or maximum rated pressure, at 25 °C.
- 4) Same as 3) after 10 pressure cycles
- 5) Maximum difference in offset after one thermal cycle from -40 °C to +125 °C.

## PICKING TOOLS

The MS7212 sensors have a topside Pyrex™ cap (1.23 x 1.02 mm<sup>2</sup>) and a backside Pyrex™ (1.95 x 1.63 mm<sup>2</sup>). The pick and place tool has to be of a soft material as rubber (Hardness 78-97 Shore A). Its external size must fit the Pyrex™ cap. Successful tests were done with some tools of SPT (see SPT drawing and references below).

SPT references	RTR-A1-060x060
External dimension	TL & TW: 0.06 inch / 1.52 mm
Internal dimensions	∅H: 0.035 inch / 0.89 mm



## WIRE BONDING

The bondable area is 100 x 100 μm<sup>2</sup>. The location of the bonding pads is close to the top Pyrex glass edge reducing the possible size and angle of the bonding capillary. Refer to the detail view *D* on the layout for more precision.

## ORDERING INFORMATION

Product Code	type	Product	Art.-Nr.
MS7212-A	Absolute	12 bar Pressure Sensors sawn on b/f	721225021

The MS7212 dice are supplied sawn on blue foil, mounted on plastic rings

## FACTORY CONTACTS

Intersema Sensoric SA Ch. Chapons-des-Prés 11 CH-2022 BEVAIX  SWITZERLAND	Tel. 032 847 9550 Tel. Int. +41 32 847 9550 Telefax +41 32 847 9569 e-mail: <a href="mailto:sales@intersema.ch">sales@intersema.ch</a> <a href="http://www.intersema.ch">http://www.intersema.ch</a>
---	--

### NOTICE

Intersema reserves the right to make changes to the products contained in this data sheet in order to improve the design or performance and to supply the best possible products. Intersema assumes no responsibility for the use of any circuits shown in this data sheet, conveys no license under any patent or other rights unless otherwise specified in this data sheet, and makes no claim that the circuits are free from patent infringement. Applications for any devices shown in this data sheet are for illustration only and Intersema makes no claim or warranty that such applications will be suitable for the use specified without further testing or modification.